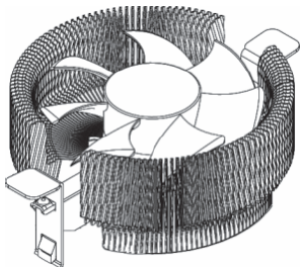


# Quick Installation Guide

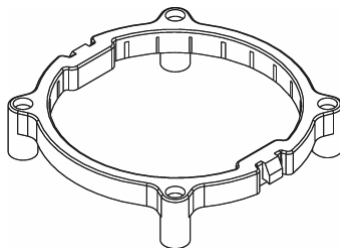
## PENTAGRAM Freezone CPU Cooler – NXC series



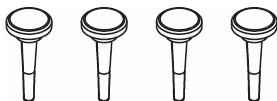
## Components



Heatsink



Bracket for Intel LGA 775



Four Buckles

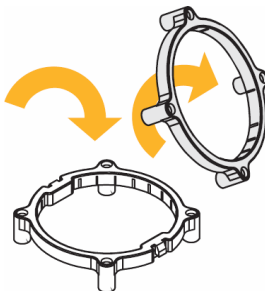


Thermal Grease

## Installation

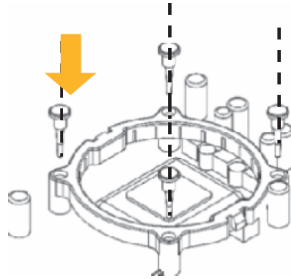
### 1. LGA 775 only

Remove original bracket from the Motherboard.



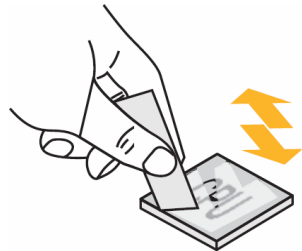
**2. LGA 775 only**

Locate the bracket on the top of the CPU socket, then buckle to the end.



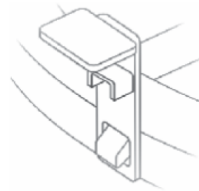
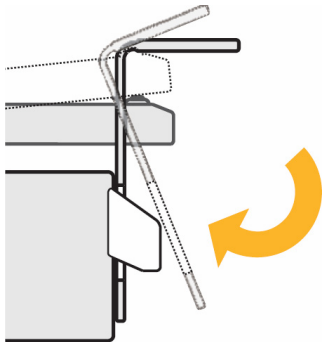
**3. LGA 775 / Socket 754/939/940**

Paint the thermal grease thinly and evenly over the CPU core.

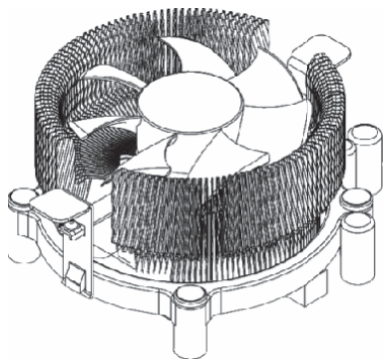


**4. LGA 775 / Socket 754/939/940**

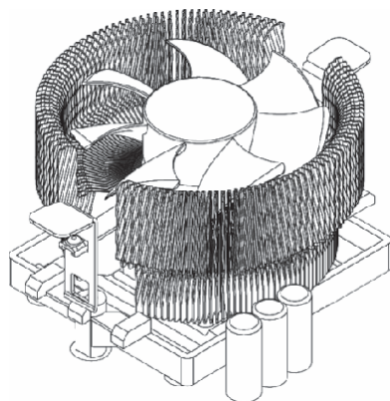
Place the heatsink on the center of the CPU and then clip the hook.



**INTEL Pentium 4**  
LGA 775



**AMD Athlon 64 / M2**  
Socket 754 / 939 / 940



**NOTE:** All information and technical specifications provided in this manual are subject to change without notice and/or indication.

**© 2008 PENTAGRAM**

All rights reserved. Unauthorized duplication and copying prohibited.

For the latest versions of manuals, drivers and software, visit [www.pentagram.eu](http://www.pentagram.eu).